

340-D

Digital Compression Load Cell

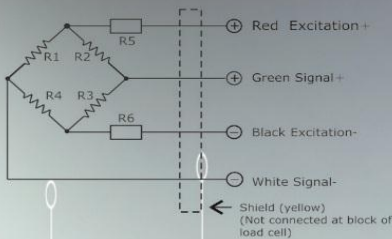
Ideally use for Road weighbridge, Tank Weighing & Process applications



Mode of Connection
10t, 20t, 25t, 30t, 40t, 50t, 60t

Input +: Red
Input -: Black
Output +: Green
Output -: White

Circuit Diagram



Notice:
Do not change the length of cable, or else, it will effect the sensitivity of load cell.



Features:

Capacities: (E_{max})
10,20,30,40,50,60t.

Output:
Digital:1,000,000d.

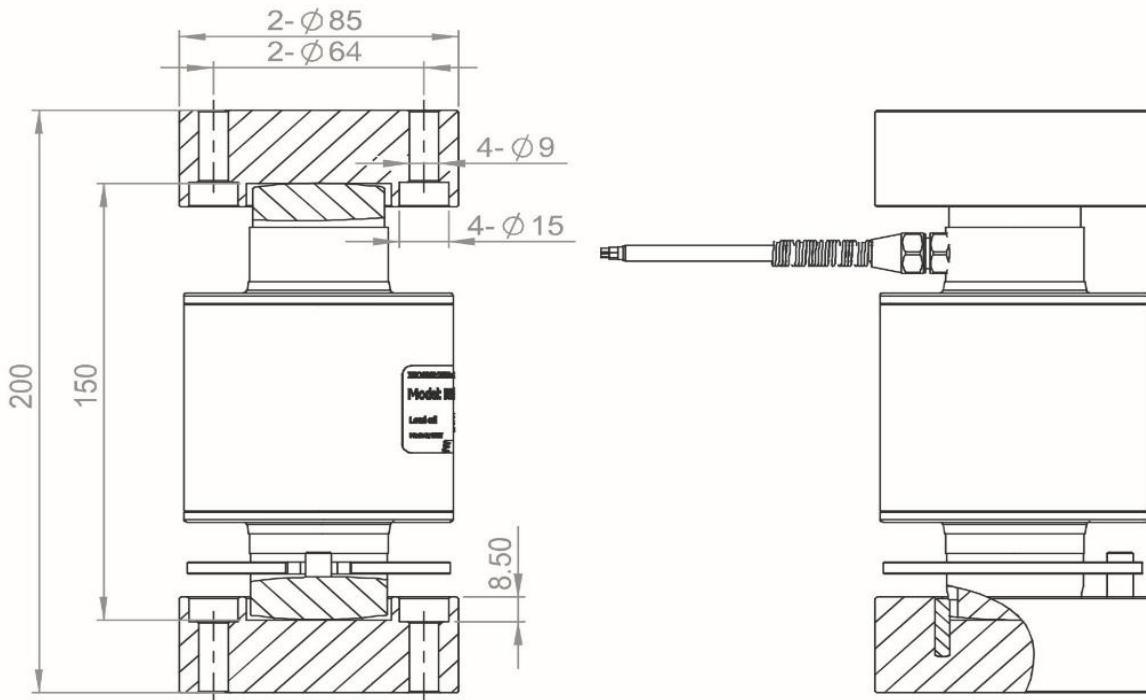
Accuracy:
C3 OIML R60.

Material of elastomer:
Alloy steel or stainless steel.

Execution standard:
GB/T 7551-2008 Certificate
(eqv OIML R60)
Combined error: 0.015%

Sealed to IEC 529:
Protection grade: IP67 or IP68.
Protection against total immersion
in water for 30 minutes at a pressure
corresponding to a 1 m head of water.

Dimensions (In mm. 1mm = 0.03937 inches)



Specification

Item \ Parameter	C4	Unit
Rated load (E _{max}):	10,20,30,40,50,60	t
Maximal numbers of load cell verification Intervals (N _{lc}):	3000	d
Minimum load cell verification intervals Intervals (V _{min}):	0.01	% of rated load
Rated output (C _n):	30,000 or 100,000	d
*Combined error:	0.015	±% of rated output
Temperature effect on sensitivity(T _k):	0.0012	±% of rated output/
Temperature effect on zero balance(T _{k0}):	0.0008	±% of rated output/
Zero balance:	1.0	±% of rated output
Measuring rate A/D:	50/25	/Sec
Baudrate:	9600/19200	Bps
Filter mode 1:	3~0.05(Low pass filter)	HZ
Filter mode 0:	8~3(Low pass filter)	HZ
Maxium transmission distance:	1200	m
Safe overload:	150	% of rated capability
Ultimate overload:	300	% of rated capability
Operating temperature range:	-20~+70/-20~+160	°C / F
Recommend excitation:	8~15	V(DC or AC)
Maximum excitation:	24	V(DC or AC)
Material of elastomer:	Alloy steel / Stainless steel	
Protection class:	IP67/IP68	

The data for deviation of synthesis error,TKo,TKc are typicl values.The sum of these data meets the requirements according to OIML R60.

Copyright

Modifications reserved
All details describe our products in general from only.
They are not to be understood as express warranty and do not constitute liability whatsoever.
The company reserves the right to mark amendments to this datasheet information without prior notice.
No part of this datasheet, including the texts, photographs, may be reproduced or transmitted without the express written permission of Q-tech Korea Advanced Technology company.



Web: www.q-techkorea.com
Email: sales@q-techkorea.com